



ARTPLASTICS

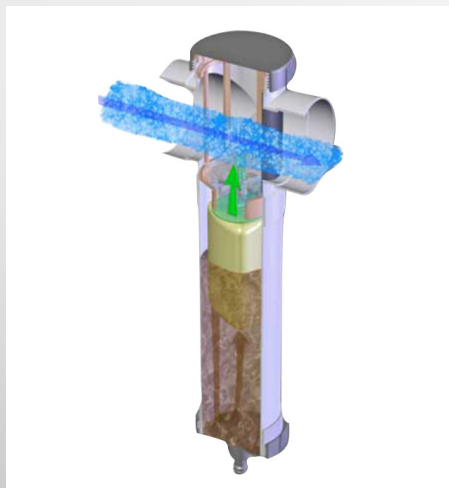
Innovative Plumbing Fittings

Rain Water Head

The Art Plastics Rain Water Head is completely removable allowing for easy cleaning of leaves and debris.



Introducing the all new "The Boot" self cleaning Rain Water Head and the "Roof Rinser" First Flush Diverter.





Art Plastics

134 Gilba Road Girraween, NSW 2145

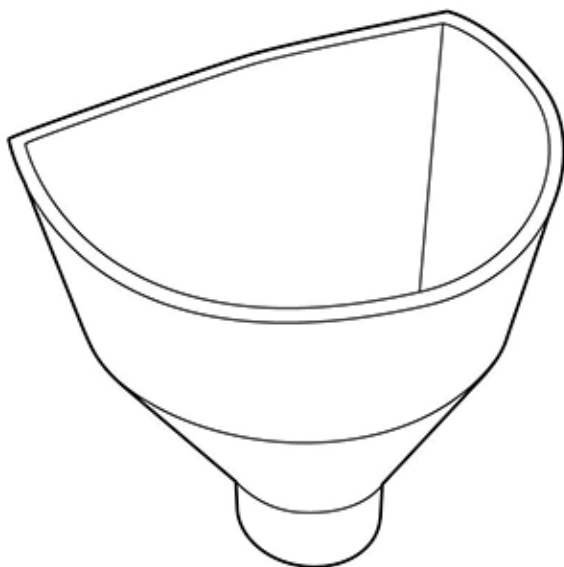
Email: sales@artplastics.com.au

Website: www.artplastics.com.au

Phone: 02 9896 7760

Fax: 02 9636 2498

Rain Water Head



Features include

- ✓ Suits 90mm stormwater pipe.
- ✓ Manufactured from high impact UV stabilized polypropylene.
- ✓ Removable mozzie proof mesh filter (304SS).
- ✓ Paintable.
- ✓ No fixing required, fully removable.
- ✓ 100% Australian made.

Product Code:

43102 - 90mm Classic Rainwater Head

CONTACT US

■ New South Wales & Victoria

Art Plastics

Phone: 02 9896 7760

Fax: 02 9636 2498

New South Wales

Colin Jay

Phone: 0400 080 591

Victoria

Andrew Molenaar

Phone: 0438 665 444

■ South Australia

Impressions Bathroomware

Phone: 08 8352 8600

Fax: 08 8352 8622

■ Western Australia

Pride Industries

Phone: 08 9272 6511

Fax: 08 9272 3427

■ Queensland & NT

Collis Marketing Services

Phone: 07 3805 6664

Fax: 07 3805 6668

■ Tasmania

Wholesale Products

Phone: 03 6273 3455

Fax: 03 6273 1901