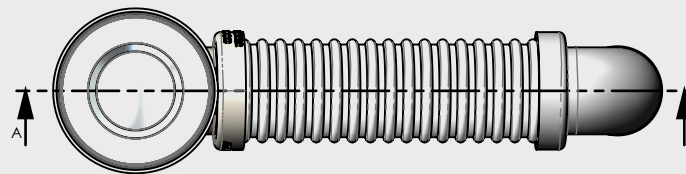


BATH BEND POP DOWN[®] WITH CONNECTOR

PLUG & WASTES

- Flexible connector
- Low height body 77mm
- Adjustable length to maximum 600mm
- Adjustable bath thickness to 12mm

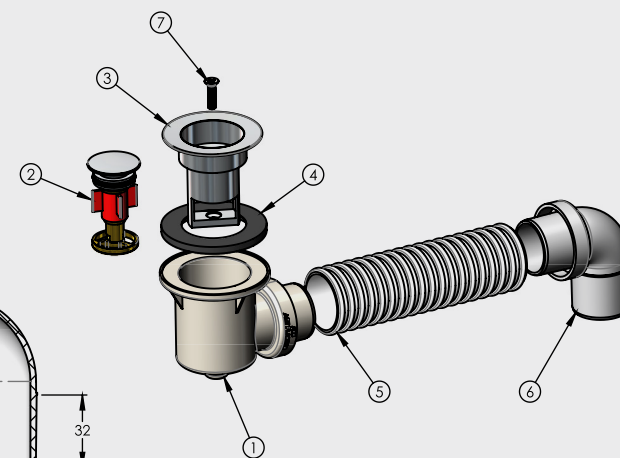
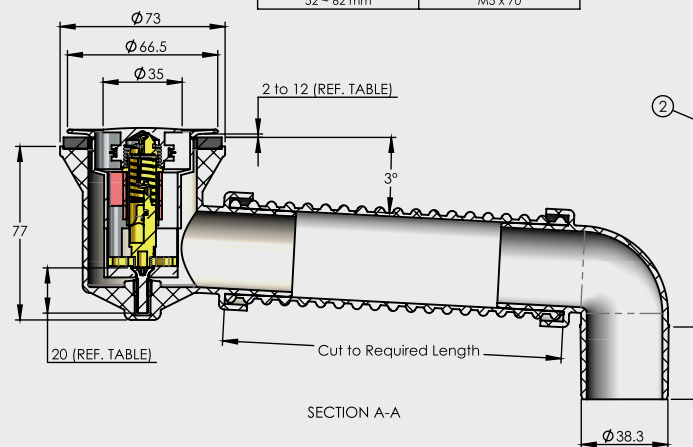
CODE	OUTLET SIZE	FINISH	CARTON QTY
21831.01	40mm	Chrome	10



ITEM NO.	PART NUMBER	Notes	QTY.
1	200151 Bath Popdown Outer Body	New Tool	1
2	100084		1
3	200150 Bath Pop Down Inner Body	New Tool	1
4	200152 Double seal	New Tool	1
5	94020		1
6	100149		1
7	AS-NZS 1023 CC- M5 x 20-S	M5 x 20	1

NOTE:
FIXING SCREW (7) MUST BE STAINLESS STEEL, M5 COUNTERSUNK HEAD. REPLACE WITH DIFFERENT LENGTH OF SCREW FOR DIFFERENT BATH WALL THICKNESS. REFER TABLE BELOW:

BATH WALL THICKNESS	S/S SCREW C/SUNK HD
2 ~ 12 mm	M5 x 20 (SUPPLIED)
12 ~ 22 mm	M5 x 30
22 ~ 32 mm	M5 x 40
32 ~ 42 mm	M5 x 50
42 ~ 52 mm	M5 x 60
52 ~ 62 mm	M5 x 70



Drawing for information only. See 3D CAD model for production data