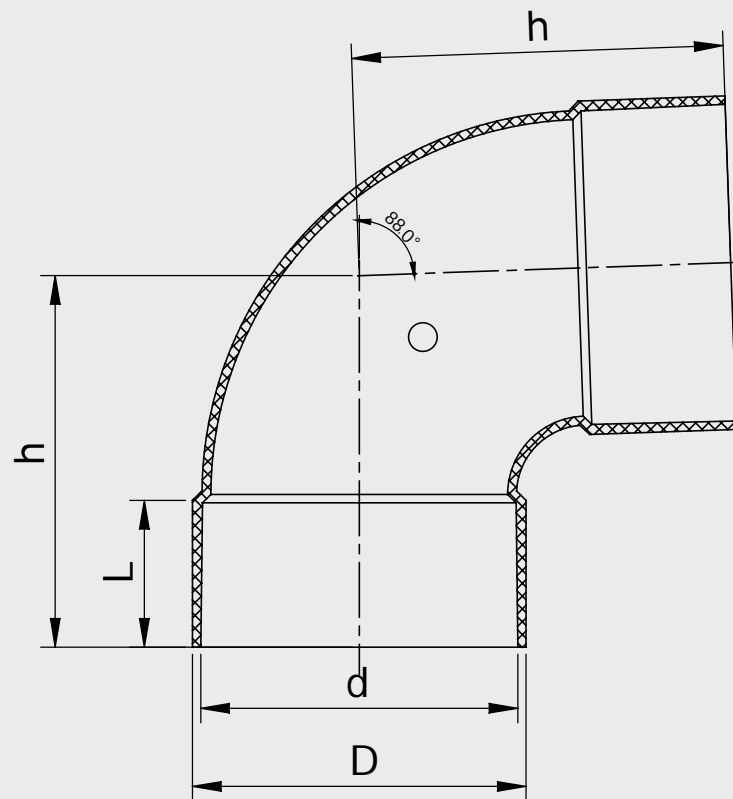




DWV BEND 88 DEG F&F

CODE	DESCRIPTION	OUTLET SIZE	FINISH	CTN QTY
31112	40mm x 88 Deg F&F Bend	40mm	PVC	115
31114	50mm x 88 Deg F&F Bend	50mm	PVC	60
31116	65mm x 88 Deg F&F Bend	65mm	PVC	80



CODES	D	d	L	h
31112	47.8	43.4	60	27.5
31114	61.1	56.3	71	30.5
31116	74.6	69.4	99	38.5